



# Drumlin's Rumblyns

DARC Monthly Newsletter

September 2008

## Next Meeting

**Wednesday, September 17, 2008**

**Doors open at 19:00**

**Meeting 19:30**

**New York State EMO**

**Route 31, Newark, NY**

**Or try 146.685**

**For assistance try 146.745**

## Minutes

**The Drumlins Amateur Radio Club, LTD  
Meeting Agenda**

**Date: August 20, 2008      Call To Order: 1935 Adj:2020**

**Members/Guests: Not Available, Attendance sheet not returned.**

**Minutes: Move to accept: N2MLD 2<sup>nd</sup>: W2EVU & carried**

**Treasurers Report: by KB2KBY Motion to accept KC2TCM 2<sup>nd</sup> AB2F & carried**

**Repeaters: 146.745 Upgrade on hold for the 146.685 replacement.**

**146.685- 685** the new repeater still in Bruce's hands ????? to be installed ?????

**144.950-** Wegmans Hill and SEMO ok, Brantling Hill "off line"

**RACES:** net on 08-31-08. State drill 9/9/08, State drill 3/24/09, FEMA drill 5/05/09

**PUBLIC SERVICE:** WD2STK reported she attended the Walnut Hill Driving competition and reported on several events in the near future. Canal Town Days 9/13/08 - Volunteers needed from 1400 to 1630. The next hamfests were mentioned. A demonstration of Ham radio at the Boy Scout Jamboree event is planned. Sept 27 .1100 AM until 1500 at Palmyra county fairgrounds. HF, 2M and 2M Packet will be displayed and demo'd. If you have the time, check in.

**ACTIVITIES & CONTESTS:** Field Day was successful at the club facilities. New 718 radios and tuners worked well. The new logging program was used and found to be a good investment.

KLARA Hamfest at Howard NY 08/09/08, Ithica /Trumansburg 08/02/08, Pompey Hills 09/13/08

**VE TEAM: NTR**

**NEWSLETTER:** Thanks, Jon. Anyone with articles, get them to Jon for publication. **Continued on page 4**

## RACES-ARES September 2008

September is always the start of a new RACES-ARES year. By the time you are reading this either from your computer or a 'snail' mailed newsletter copy the September 9<sup>th</sup> State Ginna drill be all over. You'll have to look forward to that article next month. Hi! Here are the events coming up so far this RACES-ARES year.

First, we have Canal Town Days in Palmyra. (See the article printed on page 2 in this 'Drumlins Rumblyns.')

It would be ideal if we had enough amateurs come out we could double-team the work that one ham usually does. Believe me when you do the parade set up two hands is not enough at times. Please consider helping out.

Second, the Pumpkin Patrol is coming up once again in October. This 30<sup>th</sup> and 31<sup>st</sup> are on Thursday and Friday, which could mean a Saturday as well helping troop T. I'll be contacting the Ontario RACES for added help this year again. Stay tuned for more on this too.

Lastly, the Wayne County EOC has already received dates for the 2009 Ginna drills.

Continued on page 5

**RACES NET SUNDAYS 20:45 146.745  
Except for Holiday Weekends!**

## The Drumlins Leaders 07-08

President	Jim Collinsworth, N2JC	315-483-8136
V-President	Doug Peeso, KB2ROP	315-587-2889
Secretary	Russ Millspaw, N2RUS	315-483-8924
Treasurer	Dave Taylor, KB2KBY	315-597-4293
Program	Charles Escriva, KB2SOZ	315-986-5779
Program Asst	Dave Taylor, KB2KBY	315-597-4293
Director 3 yr	Bob Wilkin, W2GIV	315-923-2620
Director 2 yr	Harold Spencer, W4ILN	315-539-3819
Director 1 yr	Steve Elliott, N2COJ	315-789-2701
Sysop .745	Jeff Jenson, N2MKT	315-483-1537
Sysop .685	Bruce Blair, WB2QKO	315-597-9731
Newsletter	Jon King, KS2JEK	315-524-2453
Club Trustee	Dave Taylor, KB2KBY	315-597-4293

### POST-"BUNKNIC" (PICNIC) REPORT 2008

Well, once again the weather was humid and warm enough to make the "bunknic" a good place to have a picnic. SEMO has fixed the air conditioning and the "bunknic" was cooler than last year and the food was soooooooooooooooooooooooooooooo good.

Fun! Look at the happy operators K2MPE and KC2TCM at the Icom-718 positions. KC2TCM had a few England calls written down on his sheet of paper using the tri-beam. And it was especially good the see K2MPE, Al, there even if Brenda, the XYL, was working. It meant Al was doing better and could drive himself.

If you are not convinced enough of the good food, take a look at all the pictures taken! "Horsey-do-vers," as my father-in-law called them, were great thanks to K2MPE. (There is another version "Dad" had too, but pretty unmentionable in a newsletter. Hi!) The food platter was yummy and enough was left over to have meals for later, too. I love 'pot luck' dinners! The food is plentiful, very diversified and wonderful for the taste buds. The only problem is you can't or not allowed to eat all you wish you could. Hi!

The crowd was down a few numbers from past years but the small group of fifteen left content, full and happy. Hi! And you missed little Naomi, K2TJX's (Sam's) baby harmonic! She was a cutie. I know in our hectic world even with a lot of us members retired it is hard to find time. But if you could not attend, I want you to be envious of the "bunknic-neers" who attended. Hi!

You'll have to excuse me for that last sentence with "bunknic-neers." I have been watching a lot of Sesame Street lately with Willow, the granddaughter, babysitting. Not only did I watch a lot of Sesame Street with my own harmonics, I watched the program long after my kids stopped watching it. There is really a lot on Sesame Street that is really for adults and passes over the heads of the kids. The really well-known actors, musicians, and Americans who do little skits are great and you know you have come to the top, being honored to be on the show.

Continued on page 3

## Canal Town Days September 13<sup>th</sup> Parade Help Needed

Well here I am talking about Canal Town Days for 2008 already. Whew! "Mr. Time" surely does fly! But regardless it is again that time of the year and the newsletter to mention the fact.

The Canal Town Days is September 12<sup>th</sup>-14<sup>th</sup>. The Drumlins ARC has always helped with communications especially with the Canal Town Days parade on Saturday, September 13<sup>th</sup>. We will be meeting at the corner of West Jackson Street and Stafford Street where the parade setup starts at 2:00PM.

We had five amateurs last year and the parade setup ran smoothly. It would be nice to have seven (7) help this year. We do have to send one 'op' to the bandstand before hand for the announcing platform. Extra hands make the duty lighter for all. When all the participants come they like to come all at once it seems. Hi! And there is a lot of giving directions out where groups are to line up. Those extra hands would be appreciated.

The Canal Town Days Committee has been very kind the past two years of giving the Drumlins a check to show their appreciation lining up the parade. Yes there no doubt the committee uses their own HTs and our job is limited to setting up the parade. As communications progresses everyone progresses along in general. But-the fact is the parade is our 'baby.' The committee admits they could not set the parade up with the skill we do. They are amazed at our efficiency and ease of communications.

So if you can help for three hours on Saturday September 13<sup>th</sup>, contact me, KB2KBY! Please! It is a fun experience, a short commitment but rewarding for Canal Town Days and gives the club a good "PR" feather in its cap.

Before and after the setup and parade you can enjoy all the activities you want. To have fun and enjoy-you couldn't have a better day. Hi!

73 & 88, Dave KB2KBY  
315-597-4293  
packet: (144.950) kb2kby-1  
kb2kby(at)rochester.rr.com

### Club Address

Dave Taylor KB2KBY Club Trustee  
228 W. Jackson St., Palmyra, NY 14522  
Packet: Kb2kby-1 thru Newark Node  
Email: KB2KBY@rochester.rr.com

## Friday Luncheon Cross Park at noon

## September Program: "ICS-213"

We will be covering stuff for the upcoming elections!

### "Bunknic" Report from page 2

And try to keep from laughing at the mock Sesame Street versions of CSI, Masterpiece Theater, and Family Feud etc.! Believe me, it is hard to keep from laughing. Hi! You know a program has notoriety when it is 'copied' on Sesame Street.

If you can look at the pictures of the great treats we had and not salivate, you are a better man than I. I use that term 'man' as being in the Biblical sense meaning man and women. If you have attended other "bunknics" you were missed! If you didn't make this year's "bunknic" you were also missed, and, we hope you can make 2009.

Many thanks for the helpers setting up and cleaning up after. It sure made the "bunknic" easier and enjoyable for all.

73 & 88, Dave KB2KBY



**K2MPE working the Icom-718 position.**

## Upcoming Public Service Events

**Canal Town Days**  
Sept 13

**Rochester Arthritis Foundation Marathon**  
Sept 14

**Fairport Lift Bridge Regatta**  
Sept 21

**Finger Lakes Triathlon**  
Sept 21

**Barktoberfest: Lollypop Farm**  
Sept 27

**America's Walk for Diabetes**  
Oct 4

**Wine Glass Marathon**  
Oct 5

**Hike for Haccamo**  
Oct 12 (**Needs Event Captain**)

**Jamboree on the Air (BSA)**  
Oct 18 & 19

**NYS Thruway Pumpkin Patrol**  
Oct 30 & 31

**Special Olympics, Winter Games**  
Feb 7, 2009

Please contact Duane Fregoe, K2SI for the events that need a captain. His email address is [k2si@arrl.net](mailto:k2si@arrl.net).

**October Rumblins  
Deadline is  
October 1, 2008**

## Calendar of Events

9-17 DARC meeting—1930, WC SEMO

## Upcoming Hamfests

**Sept 13** Radio Amateurs of Greater Syracuse  
Pompey, NY  
<http://ragsinreview.com>

**Sept 20** Monroe County ARES—EmComm  
East Conference at St. John Fisher  
College  
<http://www.emcommeast.org>

### Minutes from page 1

**REMEMBRANCE:** Al, K2MPE is doing well. Jim Magill KX2T S/K. A card will be sent. Betty Fox N2FPY is recovering from a back injury with family in Rochester, NY

**OLD BUSINESS:** Drumlins family “Buncnic” Meet at 1700 eat at 1730 the menu was discussed.

**NEW BUSINESS:** The Election of officers, positions, terms and duties were reviewed. All positions with the exception of the 2 long term directors are open. Here’s your chance to be a part of democracy at work. We have received a request from the operators of the 145.11 machine in Bristol, for financial help. To reduce operating costs they would like to erect a wind power system that would allow them to “go off the grid” and eliminate the monthly electric bill. Estimated at \$1000. A motion by KB2KBY to donate \$ 50.00 to the 145.11 repeater maintenance fund 2<sup>nd</sup> by W2EVU & passed.

**50/50 AB2F—\$6.50 Donated back to Drumlins for the picnic.**

**ADJOURNMENT:** ? 2<sup>nd</sup>? Carried

### WB2QKO-2 PACKET UP & RUNNING

The packet j-pole antenna mentioned in the RACES-ARES article is in fact up and running on Brantling. The frequency is 144.950 and “wb2qko-2” is the packet address. This is a Flex Net connection so follow the instructions so a few of the commands are different. Wb2qko-2 can be reached at my QTH in the Village of Palmyra directly with 10watts. This packet serves the northern part of Wayne County well. Give it a try!

73 & 88, Dave KB2KBY



Some of the treats we had at the Buncnic!

### 146.685 REPEATER FOR WARECS NET SEPT 14<sup>TH</sup>

Starting with the WARECS net on Sunday, September 14<sup>th</sup>, the RACES/ARES drill message will return to the 146.685 repeater as the primary repeater for the net. (146.745 will remain the secondary repeater for back up.)

**If you have an article that you would like to share with the rest of the club, please submit them to me and I'll work on getting it in the newsletter!**

**Email address:**

**KS2JEK@rochester.rr.com**

**Snail Mail address:**

**6911 Furnace Rd.**

**Ontario, NY 14519-9704**

## RACES-ARES from page 1

George Bastedo, the EOC director, e-mailed me the dates. Here they are:

Tuesday, March 24, 2009-Ginna State Plume Exercise

Tuesday, May 5, 2009-Ginna Federally Evaluated Plume Exercise (date set by FEMA).

Good news, the new 685 repeater is up and running! It was officially announced the first WARECS net after the Labor Day weekend on the 745 repeater on September 7<sup>th</sup>. But you may have found out long before this it was up and running. It was not until the September 14<sup>th</sup> WARECS net that we officially were back on the 685 repeater as the primary frequency. Now we can take time to get the replacement repeater installed for the 745 repeater. Hopefully by the time leaves are off the trees at the latest the 'new' 745 will be up and running as well. When the 745 is completed we will be in good shape with our emergency communications for Wayne County and the EOC.

At the time of typing this article the WB2QKO-2 packet on 144.950 on Brantling was partially completed. The repaired j-pole antenna was placed on the fence at the site (See picture on the right side of page 6.), but there were problems getting the coax inside. The county had plugged up the hole and all other openings with that spray form insulation. WB2QKO, Bruce, was not prepared for that. It was nice to see the county crew also took time to kill all the vines that were spreading all over the chained link fence last spring.

Speaking of the county, Bruce gave John O'Toole, the Radiological/HazMat Officer and I a tour of the big tower site and the old site next to it where the club has all its equipment. (See picture at right and on the left side of page 6.) The antenna tower is the newer site with all the county communications on it. It is from here the old site gets its power and emergency power as well. Bruce and I had a nice chit chat while touring the sites. John, being a volunteer fireman in the big time sense, knows all the ups and downs of volunteer organizations. But John was very positive about our role in emergency communications and gave us our support. This was very good to hear in my ears! I thanked him graciously. We have been in a 'desert' period, a big dry spell, at the EOC for a long. We know the 'why' this has happened in the past.

George and John are supporting us at the county EOC. We need to support them! It is time for the Drumlins members to step up and support RACES-ARES as never before. Please, please consider and take to heart the club's role in emergency communications.

See you for October.

73 & 88, Dave KB2KBY  
RACES RO/ARES EC



### Radio Club Contacts

#### **Drumlins Amateur Radio Club Ltd. (DARC)**

Jim Collinworth, N2JC                      jcollinsw@aol.com

#### **Monroe County ARES**

Jeff Wigal, WY7Q                              wy7q@arrl.net

#### **Rochester Amateur Radio Association (RARA)**

Frank Schramm, WB2PYD                      wb2pyd@arrl.net

#### **Rochester DX Association (RDXA)**

Paul Mackanos, K2DB                              k2db@arrl.net

#### **Rochester Radio Repeater Association (RRRA)**

Brad Allen, KB2CHY                              kb2chy@frontiernet.net

#### **Rochester VHF Group (RVHFG)**

Andy Flowers, K0SM                              aflowers@frontiernet.net

#### **XEROX Amateur Radio Club (XARC)**

Ned Asam, W2NED                              w2ned@frontiernet.net



**I just received this from the RARA-General yahoo group. If you can help, please contact the people listed.—KS2JEK**  
**This event just hit my radar screen this week and they need some ham support. It should be on the RARA web site shortly to handle sign-ups for those that are interested. You can also email me directly if interested. Bill VanRemmen, KA2WFJ is the lead for this event.**

**Duane Fregoe, K2SI**  
**RARA Public Service Coordinator**

## **Event**

The past several years, a group of hams has assisted the **Genesee Valley Riding and Driving Club** with their annual event, just north of the Village of Geneseo. Ham support is needed during **Sunday afternoon, September 14 2008**, for a few hours during the cross-country portion of the competition. The event can be covered using only HTs on low power. We will be relaying information about the riders from those obstacles that are out of view of the organizers. Hams will be paired with a knowledgeable "horse person", so we won't have to actually judge the obstacles, just relay the information. We will also be on hand in the unlikely event there is an accident on the course.

## **Operational Plan**

A minimum of 12 ham operators are needed. Radio volunteers should be at the show grounds by 11:00 AM on Sunday Sept. 14th. This allows approximately one hour to get acquainted with the course, get organized and ready for first horse on the course. Cross country should be complete by 3:30 PM. Remember there is a complimentary reception at the show's conclusion with food and awards. All volunteers are invited.

## **Task**

Provide safety communications for the event as needed.

## **Communications Modes**

two-meter simplex with an HT.

**BOY SCOUT FALL CAMPOREE-SEPTEMBER 27<sup>TH</sup>  
HAM RADIO DEMONSTRATION  
HELP STILL NEEDED**

Saturday September 27<sup>th</sup> help has been requested to demonstrate ham radio at the Finger Lakes Council Seneca District 2008 Fall Camporee being hosted by Palmyra Troop 96 in Palmyra at the Wayne County Fairgrounds.

**I know this is the Horseheads Hamfest day on the 27<sup>th</sup>. If you are not attending or home early, please consider helping as described below.**

Our own Drumlines member Erich Lucas, N2HSY, is calling for help demonstrating amateur radio to a gathering of nearly 900 Boy Scouts. The Wayne County Fairgrounds is right in the backyard of KB2KBY's QTH-literally. So naturally Erich thought of me. Hi! It is hoped we could have just a Saturday daytime of HF, 2m, and packet radio positions demonstrating ham radio. Possibly if enough help is available a CW key-oscillator demo could be added too. Charlie, KB2SOZ, always has his Tech ham classes during the year and this demonstration could entice more Scouts to join Charlie's classes. And it could spur more Scouts to go for their communications badges as well.

**Our commitment** would be for the Saturday event only despite the camporee being a Friday to Sunday event. We are looking for a 10:00AM to approximately 4:00PM time frame. **Volunteers at the fairgrounds** would be needed as well as those who could man especially 2m home QTH to gab with Scouts or even some members far enough away for HF contacts. If you would help-5 people at the fairgrounds would be enough. That would include Erich and KB2KBY so three more volunteers would be needed there. **Volunteers for QSO QTHs**, at your home shack, of the same number would mean one's commitment could be shared. If you can help please contact Erich and/or myself by any one of the means listed below. As soon as we can get volunteers we can set up some sort of schedule.

This demonstration would be a good PR for amateur radio and spark some interest in our 'hobby.' Please consider helping in some way.

73 & 88,  
Erich (N2HSY): 315-597-1626  
Dave (KB2KBY): 315-597-4293  
kb2kby(at)rochester.rr.com  
packet-145.950 at kb2kby-1

**KANSAS HAM, SON, ELECTROCUTED WHILE  
ERECTING ANTENNAS**

While putting up backyard antennas on the afternoon of Sunday, July 13, Edward Thomas, KC0TIG, of Kansas City, Kansas, and his son Jacob were electrocuted. Edward, 65, was pronounced dead at the scene. Jacob, 27, was rushed to the hospital but died later that day. Initial reports suggest that the antenna they were installing came in contact with 7620 V power lines. Neighbors reported a "loud popping sound" and the electricity went out on the block.

Jacob's 7 year old daughter witnessed the tragedy and ran to the neighbor's yard, calling for help. Byron Kirkwood and another neighbor attempted to perform CPR on the men; the neighbor also called 911. Robert Mullendore, a spokesman for the Kansas City Board of Public Utilities (KCBPU), was quoted by Kansas City television station KSBH as saying it is rare to survive a shock as strong as the two men received: "There are people who will survive -- they're lucky by the grace of God, it's high energy, it's dangerous, that's why it's up in the air -- you just have to be careful. Even those who survive have pretty wicked wounds and they are lifelong wounds." In the power business for more than 30 years, the spokesman said these accidents are "really rare," saying that he only sees something like this "every two or three years. If you're doing any kind of work like this, you just really, really need to be aware of your surroundings."

Chuck Kraly, K0XM, used to work for KCBPU; he built and maintained the substation that fed the circuit going to the Thomas home: "This is nothing to take chances with. In my almost 30 years as a ham -- and 27 years in the power utility field -- I have seen way too many 'accidents.' Stop and look. If it is close or seems that way -- don't. Find another place. High voltage lines are not forgiving. Your life depends on it. Please follow the warnings. Anywhere close is too close."

-- Thanks to Larry Staples, W0AIB, and others who contributed to this story.

<http://forums.qrz.com/showthread.php?t=168832> This is the QRZ forum where I got the article from. Thanks to George Haupt for finding it and suggesting to put in the newsletter. - Jon. BTW, the antenna that they were installing, was fiberglass!

## October Elections For Drumlins

October is the fiscal start of the new 2008-2009 year for the Drumlins ARC. That is when we start collecting dues for the 'next' year. Yes time does fly! Hi! But more importantly it is election time for the leadership for the new fiscal year as well.

President Jim, N2JC, has appointed the following Drumlins members, as per the club bylaws, to be the 2008 Nominating Committee:

KB2ROP-Doug Pessa; Chairman  
 AB2F-"Doc" Everheart  
 N2COJ-Steve Elliott

The Drumlins election bylaws state that all positions for the elected club leadership are open to dues paying members as candidates for a position even if present serving members have chosen to volunteer to serve another year. So far this year the October 2008 slate is as follows:

**President:** OPEN

**Vice President:** OPEN

**Secretary:** N2RUS-Rus Millspaw

**Treasurer:** KB2KBY-Dave Taylor

**Program Director:** OPEN

**3-year Trustee:** N2JC-Jim Collinworth (Outgoing President serves as a beginning 3-year trustee.)

**2-year Trustee:** OPEN

And still to serve out the last year of his 3-year trusteeship is W4ILN-"Spence" Spencer.

Any Drumlins member who wishes information and/or wishes to volunteer for a leadership position on the 2008 October election slate may contact the Station Trustee by any of the means listed below. (The Executive Committee felt this was the easiest way to communicate.)

The election slate will be brought before the membership at the September meeting as per the bylaws although nominations can be brought to the floor and added to the slate prior to the October election meeting itself.

Please, Drumlins members! This is a very important time of the club year in October and the election itself is most important to the club. We all know we are busy people. But if you can see yourself taking the time and the commitment to benefit the Drumlins ARC, this is the time to come forth. If the Nominating Committee calls you please take the time to seriously consider their request.

73 & 88, Dave KB2KBY  
 Drumlins ARC Station Trustee  
 (315) 597-4293: leave a message if I am not home  
 kb2kby(at)rochester.rr.com  
 packet: 144.950 at kb2kby-1



**Above: More treats from our Bunknic.  
 Below: Some of the people that came.**



**KC2TCM working the Icom-718 position.**

## KIT BUILDING ANYONE?

We have fortunately been blessed with new and/or young members joining the Drumlins this past year. We have a lot of talent in the club and with new members. Well, I have been asked if there has been any kit building in the club.

Now we are not talking of a major kit building like the Elecraft K-2 building W2GIV did a few years ago. We are talking about little Altoids type enclosure stuff with some small surface mount or even the old Manhattan style construction. You get the picture.

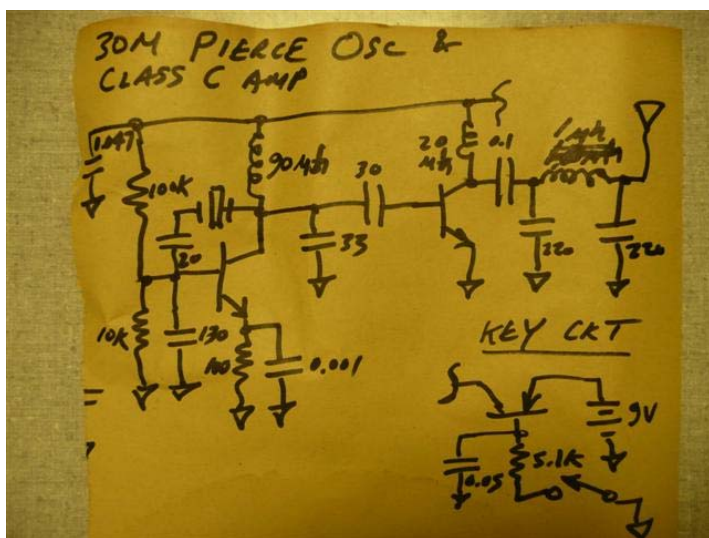
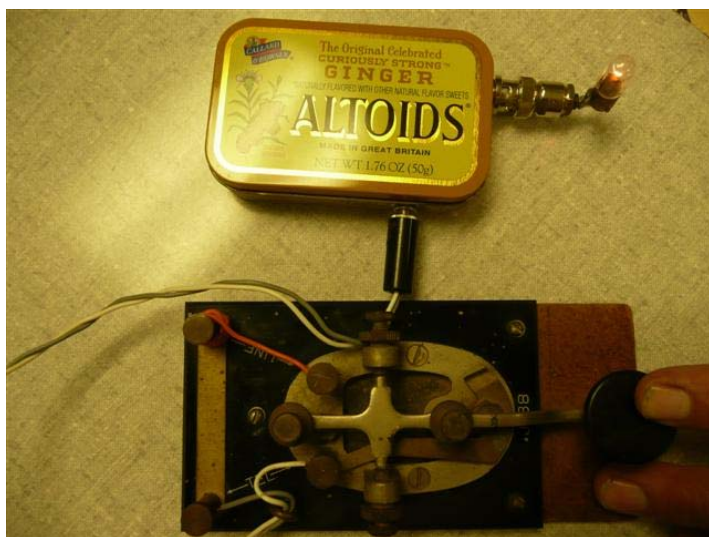
KC2TIX, Jeremy, and his harmonic Sam, KC2TIW, have built various little projects. They have shown me a few of their projects and it has peaked my interest. They mentioned even a few more than they have built. Also one of our members KC2SWZ, George, showed me an Altoids 30mb milli-watt transmitter he had built in the Manhattan style at our last meeting. See the pictures (at right) with this article. (Sorry, I don't have any pictures of your projects, Sam/ Jeremy.)

Look! I admit you are in the presence of the world's worst solder-me. But even a little surface mount board project I think I could do. The Manhattan style I think even I could bumble my way through. I need direction and patient help, which we have in the club. If there is interest, we could have a Saturday meeting kit building session. The new members as well as old timers could have a fun session with it.

If you are interested in going in this direction let members of the club executive committee know. That includes myself. This could be a good fall-winter type program to spike some interest that time of the year. Sure, it may mean a little longer 'program' session but the camaraderie would be well worth it.

Kit building anyone? Speak up! Let your talent show. At least you could get a good laugh at mine. Hi! No joke there!

73 & 88, Dave KB2KBY



# September 14 - October 25, 2008

## *Drumlins Amateur Radio Club, LTD*

Sunday	Monday	Tuesday	Wednesday	Thursday	Friday	Saturday
<i>Sep 14</i> 8:45 PM RACES Net	<i>Sep 15</i>	<i>Sep 16</i>	<i>Sep 17</i> 7:30 PM DARC Meeting	<i>Sep 18</i>	<i>Sep 19</i>	<i>Sep 20</i> EmComm East Confer- ence at St. John Fisher
<i>Sep 21</i> 8:45 PM RACES Net	<i>Sep 22</i>	<i>Sep 23</i>	<i>Sep 24</i>	<i>Sep 25</i>	<i>Sep 26</i>	<i>Sep 27</i>
<i>Sep 28</i> 8:45 PM RACES Net	<i>Sep 29</i>	<i>Sep 30</i>	<i>Oct 1</i>	<i>Oct 2</i>	<i>Oct 3</i>	<i>Oct 4</i>
<i>Oct 5</i> 8:45 PM RACES Net	<i>Oct 6</i> AB2F B'Day	<i>Oct 7</i>	<i>Oct 8</i>	<i>Oct 9</i> WD2STK B'Day	<i>Oct 10</i>	<i>Oct 11</i>
<i>Oct 12</i> 8:45 PM RACES Net	<i>Oct 13</i> KB2ROS B'Day	<i>Oct 14</i>	<i>Oct 15</i> 7:30 PM DARC Meeting	<i>Oct 16</i>	<i>Oct 17</i>	<i>Oct 18</i>
<i>Oct 19</i> 8:45 PM RACES Net	<i>Oct 20</i>	<i>Oct 21</i>	<i>Oct 22</i>	<i>Oct 23</i>	<i>Oct 24</i>	<i>Oct 25</i>